



# BRAKE MOTORS

FOOT MOUNTED

FLANGE MOUNTED

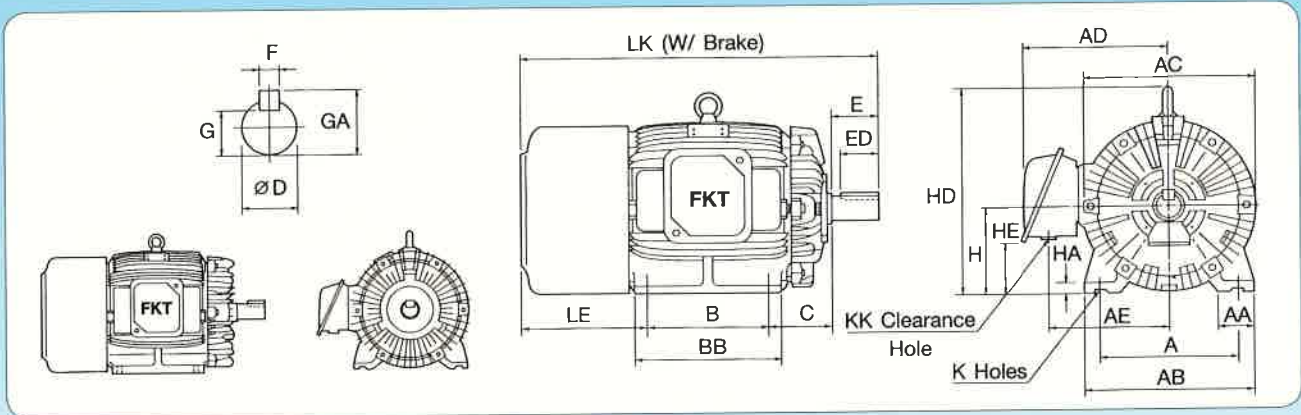
IEC STANDARD

TEFC Low Voltage  
Three Phase 380V.50Hz.

- IP 55
- Insulation Class F

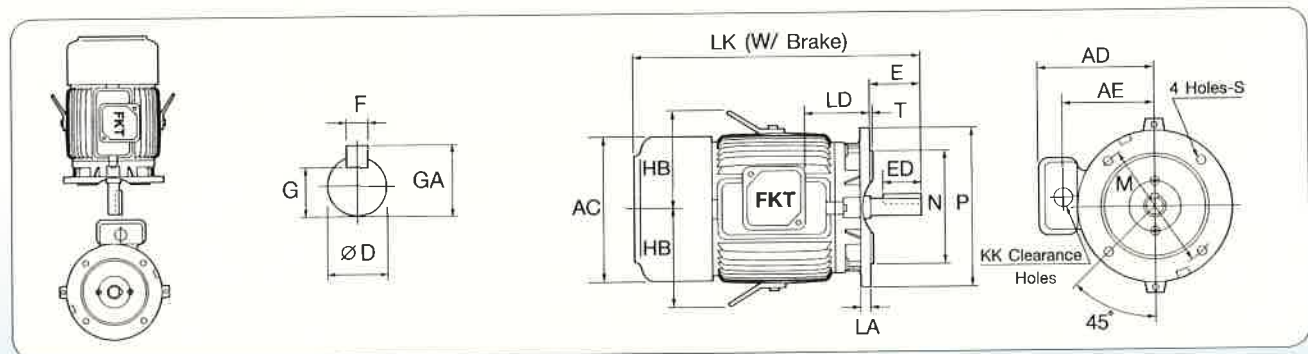


# BRAKE MOTORS



Output (HP)		FOOT MOUNTED (AEEF series) DIMENSIONS																			Output shaft dimensions		kg	
4P	6P	Frame No.	A	AA	AB	AC	AD	AE	B	BB	C	H	HA	HC	HD	HE	K	KK	LK	LE	Bearings			
																						Load Side	Anti-load Side	
1/4	-	63	100	28.0	120	144	115	88	80	100	40	63	8.0	135	-	28	7	22	294	78	6201ZZ	6201ZZ	9	
1/2	1/4	71	112	35.5	140	162	125	98	90	115	45	71	8.0	152	-	53	7	22	329	86	6202ZZ	6202ZZ	12	
1	1/2	80	125	35.5	155	177	137	107	100	130	50	80	9.0	168	-	55	10	22	362	93	6204ZZ	6203ZZ	16	
2	1	90L	140	35.5	170	200	150	120	125	150	56	90	10.0	190	-	65	10	22	417	104	6205ZZ	6204ZZ	25	
3	2	100L	160	45.0	195	219	173	140	140	175	63	100	12.5	243	70	12	28	463	109	6206ZZ	6205ZZ	30		
5	3	112M	190	45.0	224	238	182	149	140	175	70	112	14.0	265	82	12	28	487	118	6306ZZ	6305ZZ	45		
7	5	132S	216	45.0	250	273	218	175	140	185	89	132	16.0	310	83	12	35	574	149	6308ZZ	6306ZZ	65		
10	7	132M	216	45.0	250	273	218	175	178	212	89	132	16.0	310	83	12	35	624	149	6308ZZ	6306ZZ	75		
15	10	160M	254	50.0	300	334	256	213	210	250	108	160	18.0	377	108	14.5	35	754	194	6309ZZ	6307ZZ	120		
20	15	160L	254	50.0	300	334	256	213	254	300	108	160	18.0	377	108	14.5	35	798	194	6309ZZ	6307ZZ	140		
-	-	180M	279	75.0	355	382	301	245	241	297	121	180	20.0	421	119	14.5	52	967	206	6311ZZC3	6310ZZC3	185		
25,30	20	180M	279	75.0	355	382	301	245	241	297	121	180	20.0	421	119	14.5	52	967	206	6311ZZC3	6310ZZC3	230		

Remark : 1. Shaft dia "D" clearance: 011-029j6 038-048k6 055-095m6  
 2. Shaft height "H" clearance : H<sub>c</sub>  
 3. The above mentioned value subject to change without notice.



Output (HP)		FLANGE MOUNTED (AEVF series) DIMENSIONS														Output shaft dimensions						kg					
4P	6P	Frame No.	AC	AD	AE	HB	KK	LA	LD	LK	M	N	P	S	T	shaft end											
																D	E	ED	F	G	GA						
1/4	-	63	144	115	88	-	22	9	74	295	130	110	160	10	3.5	11	23	18	4	8.5	12.5	9					
1/2	1/4	71	162	125	98	-	22	12	82	356	130	110	160	10	3.5	14	30	25	5	11.0	16.0	12					
1	1/2	80	177	137	117	-	22	12	55	362	165	130	200	12	3.5	19	40	35	6	15.5	21.5	16					
2	1	90L	200	150	130	-	22	12	113	456	165	130	200	12	3.5	24	50	45	8	20.0	27.0	25					
3	2	100L	219	173	140	140	28	16	88	463	215	180	250	15	4.0	28	60	55	8	24.0	31.0	30					
5	3	112M	238	182	149	150	28	16	135	527	215	180	250	15	4.0	28	60	55	8	24.0	31.0	45					
7	5	132S	273	218	175	169	35	20	97	574	265	230	300	15	4.0	38	80	75	10	33.0	41.0	65					
10	7 1/2	132M	273	218	175	169	35	20	116	624	265	230	300	15	4.0	38	80	75	10	33.0	41.0	75					
15	10	160M	334	256	213	217	35	20	151	754	300	250	350	19	5.0	42	110	105	12	37.0	45.0	120					
20	15	160L	334	256	213	217	35	20	173	798	300	250	350	19	5.0	42	110	105	12	37.0	45.0	140					
-	-	180M	382	301	245	241	52	20	170	867	350	300	400	19	5.0	48	110	105	14	42.5	51.5	185					
25,30	20	180M	382	301	245	241	52	20	170	867	350	300	400	19	5.0	48	110	105	14	42.5	51.5	230					

Remark : 1. Shaft dia "D" clearance: 011-029j6 038-048k6 055-060m6  
 2. Shaft height "N" clearance : h7  
 3. The above mentioned value subject to change without notice.

